

## Mortise installation instructions

### Step 1:

- Determine if your storm door is right or left handed. Viewed from the outside. (Fig. 1)

### Step 2:

- Determine the latch bolt orientation.
- To change remove the #10-32x5/8 screw and mortise plate.
- Turn latch bolt 180°.
- Reinstall mortise plate and #10-32x5/8 screw. (Fig. 2)

### Step 3:

- Insert latch assembly into latch cutout – DO NOT FASTEN. (Fig. 3)

### Step 4:

- Assemble outside handle / trim plate assembly (outside handle / trim plate assembly has threaded bosses) and spindle.
- Push spindle all the way into the handle and tighten the set screw. Note: Handle and trim plate style may be different than what is pictured. (Fig. 4)

### Step 5:

- Guide spindle / outside handle / trim plate assembly through square hole in latch assembly.
- Slide inside handle / trim plate assembly (inside handle / trim plate assembly has two screw holes) onto spindle.
- Hold inside and outside handles together and loosely tighten two #10-32 Phillips Pan Head mounting screws, using long screws for 1-1/2" door or short screws for 1-1/4" door.
- Note: If spindle does not enter inside handle loosen handle set screw. (Fig. 5)

### Step 6:

- Install key cylinder using one #10-32" Phillips Flat Head screw. (Fig.6)

### Step 7:

- On edge of door drill 1/8" pilot holes and attach mortise plate / latch assembly with two #8 Phillips Flat Head SMS screws. (Fig.5)

Fig. 1

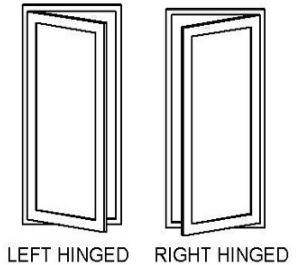


Fig. 2 MORTISE PLATE

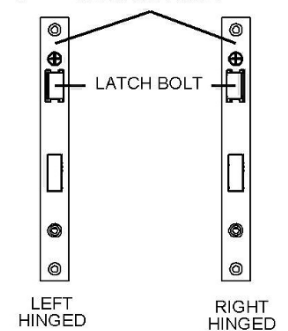


Fig. 3

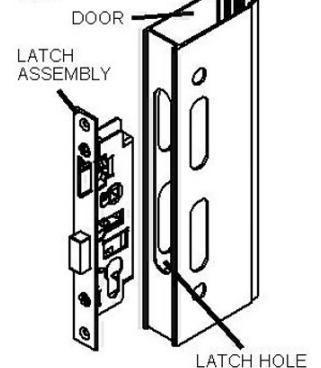
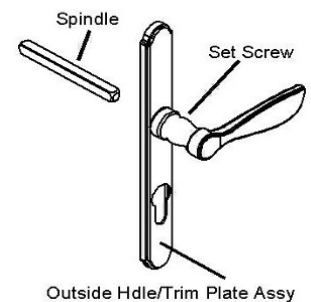


Fig. 4



**Step 8:**

- Holding inside and outside handles together tighten two #10-32 Phillips Pan Head mounting screws. Tighten inside handle set screw.

**Strike installation**

**Step 9:**

- **CRITICAL:** Clear wood from strike openings behind Z-Bar to a depth of 3/4". (Fig. 7)

**Step 10:**

- With the door fully open extend deadbolt.
- Close door and mark where the deadbolt touches Z-Bar.
- Retract deadbolt. (Fig. 8)

**Step 11:**

- Position strike plate on latch side of Z-Bar aligning vertically by centering the small rectangular cutout in the strike plate with the marks made on the Z-Bar in Step 10.

**Step 12:**

- Position strike horizontally by aligning the outside edges of strike plate slots with the outside edges of slots in Z-Bar.
- Mark top and bottom strike plate screw slot locations on Z-Bar.
- Drill 1/8" pilot holes in the Z-Bar centered in the screw slot marks.
- Install strike plate to Z-Bar with two #8 Phillips Flat Head screws.

**Step 13:**

- Close door and check for proper operation of latch and deadbolt.
- Adjust strike if required.
- Drill remaining 1/8" pilot hole and insert #8 Phillips Flat Head screw in strike plate.

